

**SMITHCO**

Wayne, Pennsylvania 19087

**OWNER'S  
MANUAL**

**MOW-N-GO  
GREENSMOWER TRAILERS**

**MODEL # 3404 & 3405**

**For Customer Service Call:  
(888) 422-5173**

**Starting Serial # MT3473  
MT3543**

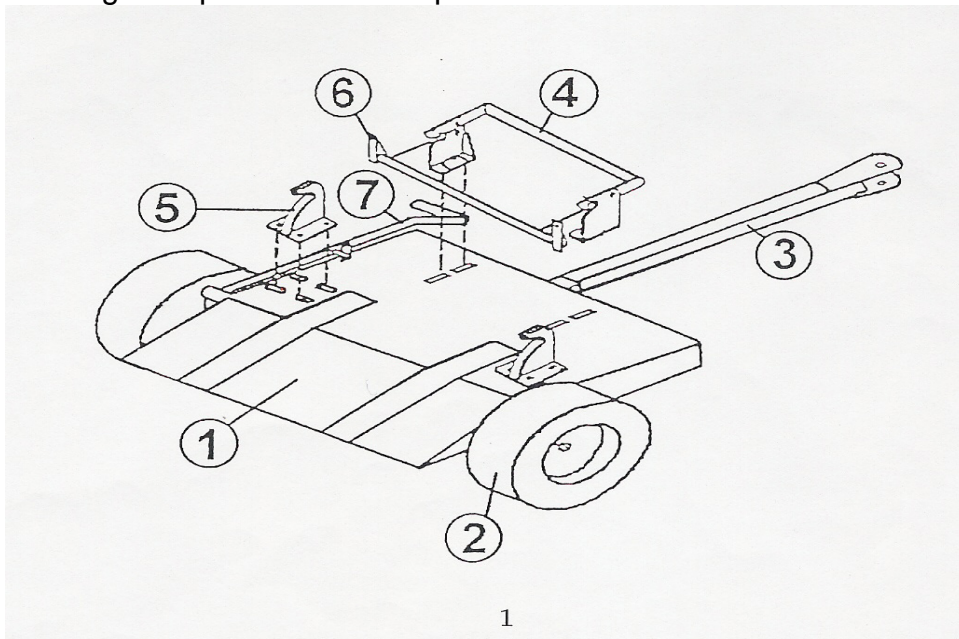
**Revised June, 2005**

# **TABLE OF CONTENTS**

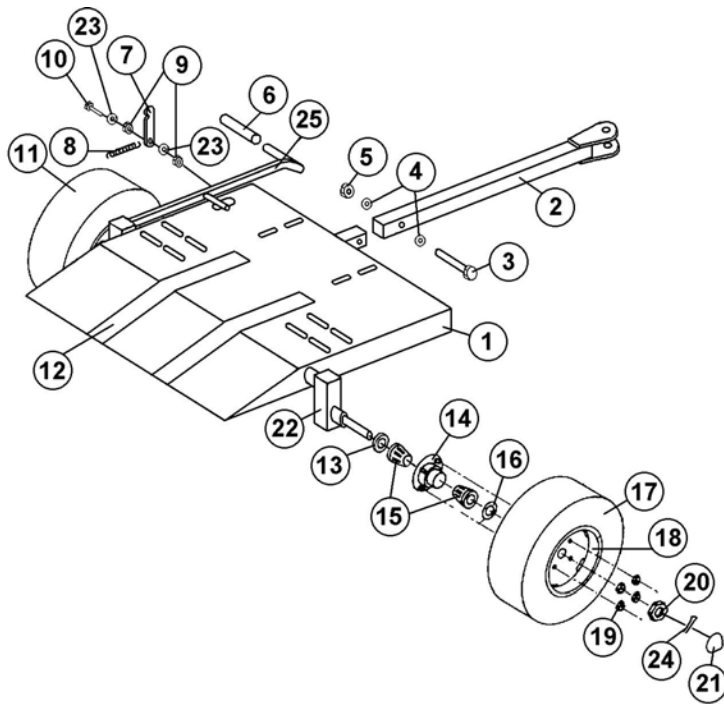
<b>Title</b>	<b>Page</b>
3404 Assembly Instructions	3
3404 Trailer Drawing	4
3404 Parts List	5
3405 Assembly Instructions	6
3405 Drawing	7
3405 Parts List	8
341-002 – 341-006 Mounting Kits	9
341-008 – 341-012 Mounting Kits	10
341-014 – 341-018 Mounting Kits	11
341-040 – 341-042 Mounting Kits	12
341-044 – 341-048 Mounting Kits	13
341-050 & 341-052 Mounting Kits	14

## ASSEMBLY INSTRUCTIONS FOR 3404

1. Place Deck Plate (Ref. #1) on solid surface.
2. Install wheel and tire on axle (Hub Ref.#2) and secure with lug nuts.
3. Drawbar (Ref.#3) can be secure by using ½" or 2 ½" bolts.
4. You will now need one of the Mounting Kits 341-002 – 341-052.
5. Using (4) of the 3/8" x 1" bolts in the mounting kit, fasten Foot Bar to Deck Plate, with Foot Bar facing Drawbar. Leave nuts finger tight only, as this piece may need to be adjusted.
6. Next install Axle Stops (Ref. #5) left and right using the remaining (8) bolts in mounting kits with hooks opening to the back of the trailer. Leave nuts finger tight only until final adjustments are made.
7. Install Latch Bar (Ref. #6) on Greensmower. The Latch Bar location will be at the base of the handle bar on mower. To install, remove the two bolts that hold the handle bar on and place Latch Bar at the same location and replace the two bolts and tighten. **REMOVE TIRES FROM MOWER.**
8. Hook Drawbar to truckster after the trailer is assembled. Lower trailer down with transport handle (Ref #7). **CAUTION: KEEP A TIGHT GRIP ON HANDLE WHEN RAISING OR LOWERING IT, YOU MAY LOSE CONTROL OF THE HANDLE.**
9. Pull mower onto trailer with handle bar facing Drawbar so that axles on mower will slide into Axle Stops. Secure Latch Bar to Foot Bar when mower is in place. Tighten bolts and nuts on Latch Bar and Axle Stops securely. Be sure mower bedknife and roller are off of the trailer bed. If they are contacting bed, loosen bolts on latch bar (Ref. #6) and press down on handle until mower is in Axle Stops. Retighten bolts.
10. To remove mower from trailer, place foot on Foot Bracket and press down and push mower off trailer. To load, pull mower onto trailer so axles will slide into Axle Stop and Latch Bar will slide into Latch Brackets. **NOTE: LATCH BAR WILL LATCH WITHOUT FOOT ON FOOT BRACKET.** Mower is now secure to transport.
11. Raise trailer using transport arm to transport mower.



# 3404 TRAILER DRAWING

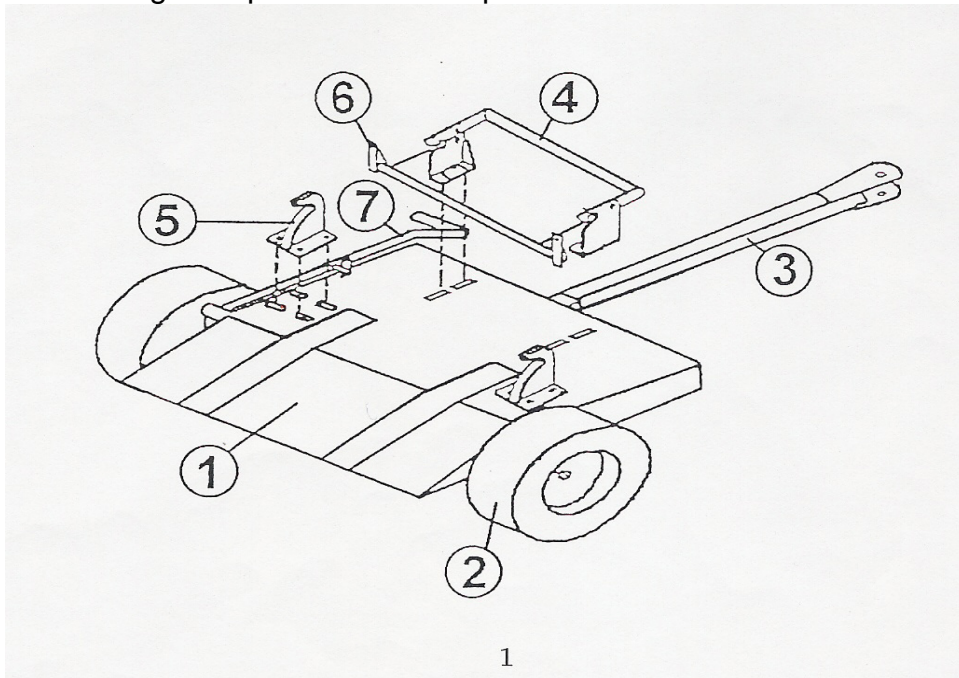


## 3404 PARTS LIST

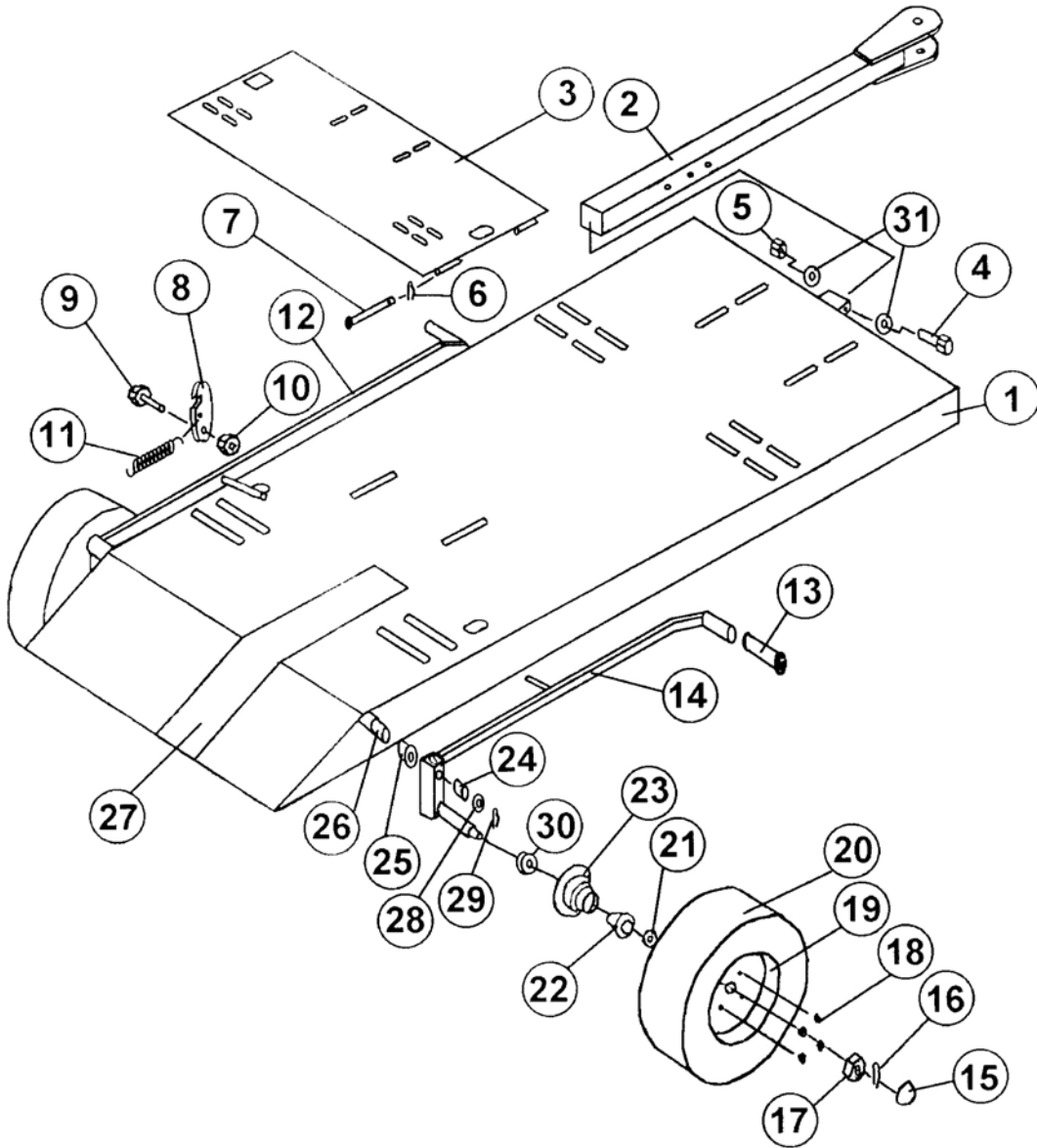
REF.#	PART#	DESCRIPTION	QTY.
1	610-370-1	Deck Plate	1
2	610-341	Drawbar	1
3	400-029	½" – 13 x 3" HHCS Znc	1
4	400-204	½" Flat Washer	2
5	400-112	½" – 13 Locknut 2-Way Znc	1
6	720-011	Vinyl Grip	1
7	720-049	Latch	1
8	720-014	Spring 7/16" x 2" x .046 Music Wire	1
9	400-109	5/16" – 18 Locknut 2-Way Znc	2
10	400-003	5/16" – 18 x 1 ¼" HHCS Znc	1
11	2774	Tire & Wheel	2
12	610-360	Rubber Matting 3" X 18"	2
13	709-171	Seal	2
14	2027-1	Hub Only	2
15	2028	Tapered Bearing	4
16	2013	Spindle Washer	2
17	2780	Tire 16 – 6.50 – 8	2
18	2775	Wheel	2
19	1187	Lug Nuts	8
20	709-126	Spindle Nut	2
21	2024	Grease Cap	2
22	610-384-1	Replacement Axle Assembly	1
23	400-201	¼" Flat Washer	2
24	709-143	Cotter Pin	2
25	610-432	Handle Assembly	1

## ASSEMBLY INSTRUCTIONS FOR 3405

1. Place Deck Plate (Ref. #1) on solid surface.
2. Install wheel and tire on axle (Hub Ref.#2) and secure with lug nuts.
3. Drawbar (Ref.#3) can be secure by using ½" or 2 ½" bolts.
4. You will now need one of the Mounting Kits 341-002 – 341-052.
5. Using (4) of the 3/8" x 1" bolts in the mounting kit, fasten Foot Bar to Deck Plate, with Foot Bar facing Drawbar. Leave nuts finger tight only, as this piece may need to be adjusted.
6. Next install Axle Stops (Ref. #5) left and right using the remaining (8) bolts in mounting kits with hooks opening to the back of the trailer. Leave nuts finger tight only until final adjustments are made.
7. Install Latch Bar (Ref. #6) on Greensmower. The Latch Bar location will be at the base of the handle bar on mower. To install, remove the two bolts that hold the handle bar on and place Latch Bar at the same location and replace the two bolts and tighten.  
**REMOVE TIRES FROM MOWER.**
8. Hook Drawbar to truckster after the trailer is assembled. Lower trailer down with transport handle (Ref #7). **CAUTION: KEEP A TIGHT GRIP ON HANDLE WHEN RAISING OR LOWERING IT, YOU MAY LOSE CONTROL OF THE HANDLE.**
9. Pull mower onto trailer with handle bar facing Drawbar so that axles on mower will slide into Axle Stops. Secure Latch Bar to Foot Bar when mower is in place. Tighten bolts and nuts on Latch Bar and Axle Stops securely. Be sure mower bedknife and roller are off of the trailer bed. If they are contacting bed, loosen bolts on latch bar (Ref. #6) and press down on handle until mower is in Axle Stops. Retighten bolts.
10. To remove mower from trailer, place foot on Foot Bracket and press down and push mower off trailer. To load, pull mower onto trailer so axles will slide into Axle Stop and Latch Bar will slide into Latch Brackets. **NOTE: LATCH BAR WILL LATCH WITHOUT FOOT ON FOOT BRACKET.** Mower is now secure to transport.
11. Raise trailer using transport arm to transport mower.



**3405 DRAWING**



## 3405 PARTS LIST

Ref #	Part #	Description	Qty
1	610-329	Deck Plate	1
2	610-333	Draw Bar	1
3	610-330	Mower Plate	1
4	400-029	½" – 13 x 3" Bolt	1
5	400-112	½" – 13 Locknut 2-Way	1
6	40-168	Cotter Pin 1/8" x 1"	2
7	2012	3/8" x 3 ½" Clevis Pin	2
8	720-049	Latch	1
9	400-003	5/16" – 18 x 1 ¼" Bolt	2
10	400-109	5/16" Locknut 2-Way	4
11	720-014	7/16" x 2" Spring	2
12	610-332	Axle Left	1
13	720-011	Vinyl Grip	2
14	610-331	Axle Right	1
15	2024	Grease Cap	2
16	709-143	Cotter Pin 1/8" x 2"	2
17	709-126	Spindle Nut	2
18	1187	Lug Nut	8
19	2775	Wheel	2
20	2780	Tire	2
21	2013	Spindle Washer	2
22	2028	Tapered Bearing	4
23	2027-1	Hub Only	2
24	713-218	Bronze Bushing	4
25	720-064	Bronze Bushing	2
26	610-334	Axle Shaft	1
27	610-360	Rubber Matting 3" x 18"	8
28	713-368	Machine Bushing 1"	2
29	720-043	Cotter Pin 1/8" x 1 ½"	2
30	709-171	Hub Seal	2
31	400-204	½" Flat Washer	2

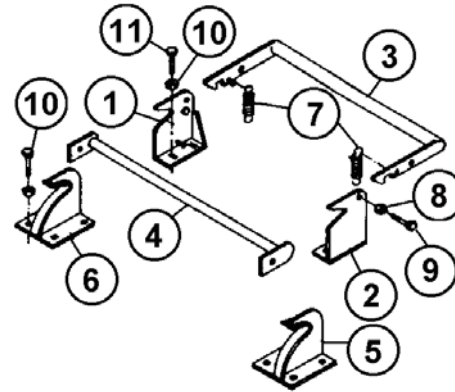
Note: If needing tire and wheel, order part # 2774.  
If needing the complete hub assembly, order part# 2027.



# TRAILER MOUNTING KITS

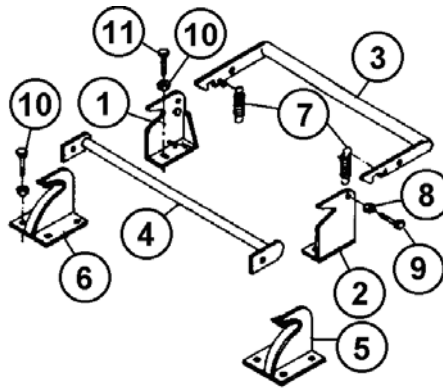
## 341-002 (Jac. Greens King (422 & 522) Orange

Ref#	Part#	Description	Qty
1	610-344	Latch Bracket Left	1
2	610-345	Latch Bracket Right	1
3	610-346	Foot Bracket	1
4	610-349	Latch Bar	1
5	610-350	Axle Stop Right	1
6	610-351	Axle Stop Left	1
7	40-199	Spring	2
8	400-201	1/4" Flat Washer	6
9	400-003	5/16" x 1 1/4" Bolt	2
10	400-202	5/16" Flat Washer	24
11	400-018	3/8" x 1" Bolt	12
NI	400-109	5/16" Locknut	2
NI	400-116	3/8" Locknut	12



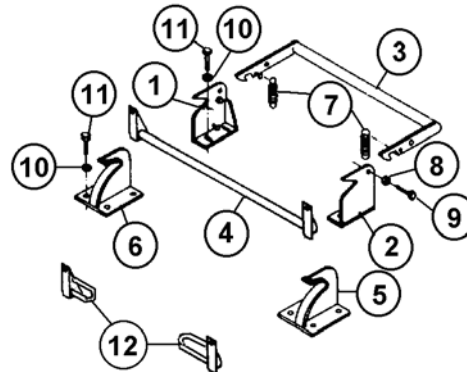
## 341-004 (Toro Greensmaster 1000) Red

Ref#	Part#	Description	Qty
1	610-344	Latch Bracket Left	1
2	610-345	Latch Bracket Right	1
3	610-346	Foot Bracket	1
4	610-355	Latch Bar	1
5	610-357	Axle Stop Right	1
6	610-356	Axle Stop Left	1
7	40-199	Spring	2
8	400-201	1/4" Flat Washer	6
9	400-003	5/16" x 1 1/4" Bolt	2
10	400-202	5/16" Flat Washer	24
11	400-018	3/8" x 1" Bolt	12
NI	400-109	5/16" Locknut	2
NI	400-116	3/8" Locknut	12



## 341-006 (Jac. 22" PGM) Black

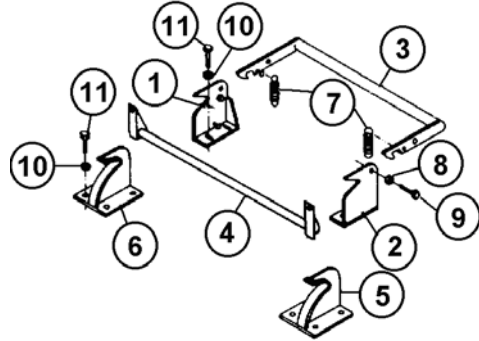
Ref#	Part#	Description	Qty
1	610-344	Latch Bracket Left	1
2	610-345	Latch Bracket Right	1
3	610-346	Foot Bracket	1
4	610-352	Latch Bar	1
5	610-354	Axle Stop Right	1
6	610-353	Axle Stop Left	1
7	40-199	Spring	2
8	400-201	1/4" Flat Washer	6
9	400-003	5/16" x 1 1/4" Bolt	2
10	400-202	5/16" Flat Washer	24
11	400-018	3/8" x 1" Bolt	12
NI	400-109	5/16" Locknut	2
NI	400-116	3/8" Locknut	12



# TRAILER MOUNTING KITS

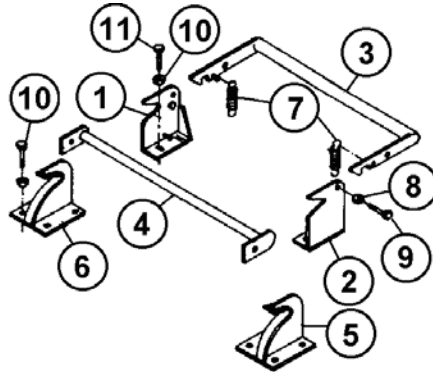
## 341-008 (John Deere 22) Dark Green

Ref#	Part#	Description	Qty
1	610-344	Latch Bracket Left	1
2	610-345	Latch Bracket Right	1
3	610-346	Foot Bracket	1
4	610-358	Latch Bar	1
5	610-348	Axle Stop Right	1
6	610-347	Axle Stop Left	1
7	40-199	Spring	2
8	400-201	1/4" Flat Washer	6
9	400-003	5/16" x 1 1/4" Bolt	2
10	400-202	5/16" Flat Washer	24
11	400-018	3/8" x 1" Bolt	12
NI	400-109	5/16" Locknut	2
NI	400-116	3/8" Locknut	12



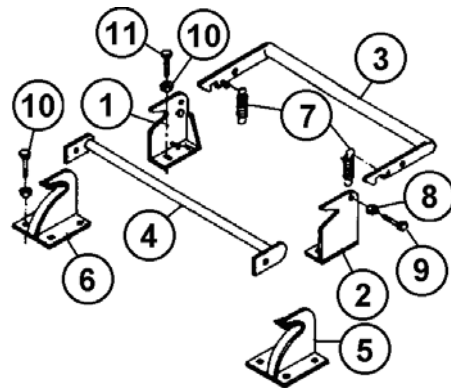
## 341-010 (Toro 1000 with 1" Shaft) Silver

Ref#	Part#	Description	Qty
1	610-344	Latch Bracket Left	1
2	610-345	Latch Bracket Right	1
3	610-346	Foot Bracket	1
4	610-371	Latch Bar	1
5	610-367	Axle Stop Right	1
6	610-368	Axle Stop Left	1
7	40-199	Spring	2
8	400-201	1/4" Flat Washer	6
9	400-003	5/16" x 1 1/4" Bolt	2
10	400-202	5/16" Flat Washer	24
11	400-018	3/8" x 1" Bolt	12
NI	400-109	5/16" Locknut	2
NI	400-116	3/8" Locknut	12



## 341-012 (Jac. 518) Light Green

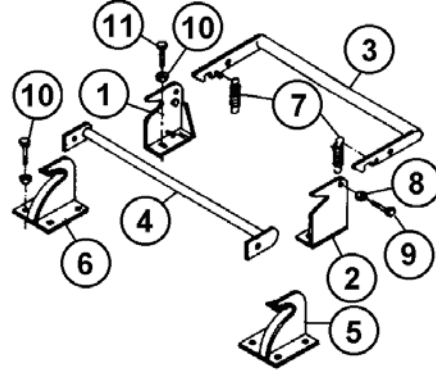
Ref#	Part#	Description	Qty
1	610-344	Latch Bracket Left	1
2	610-345	Latch Bracket Right	1
3	610-346	Foot Bracket	1
4	610-363	Latch Bar	1
5	610-379	Axle Stop Right	1
6	610-380	Axle Stop Left	1
7	40-199	Spring	2
8	400-201	1/4" Flat Washer	6
9	400-003	5/16" x 1 1/4" Bolt	2
10	400-202	5/16" Flat Washer	24
11	400-018	3/8" x 1" Bolt	12
NI	400-109	5/16" Locknut	2
NI	400-116	3/8" Locknut	12



# TRAILER MOUNTING KITS

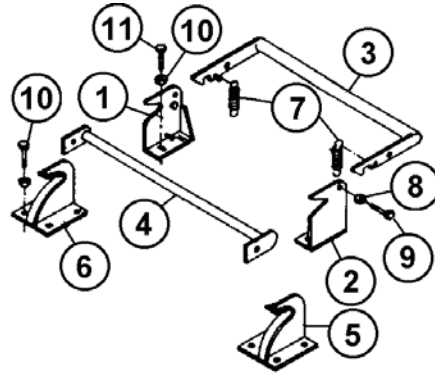
## 341-014 (Jac. 526) Black

Ref#	Part#	Description	Qty
1	610-344	Latch Bracket Left	1
2	610-345	Latch Bracket Right	1
3	610-346	Foot Bracket	1
4	610-364	Latch Bar	1
5	610-365	Axle Stop Right	1
6	610-366	Axle Stop Left	1
7	40-199	Spring	2
8	400-201	1/4" Flat Washer	6
9	400-003	5/16" x 1 1/4" Bolt	2
10	400-202	5/16" Flat Washer	24
11	400-018	3/8" x 1" Bolt	12
NI	400-109	5/16" Locknut	2
NI	400-116	3/8" Locknut	12



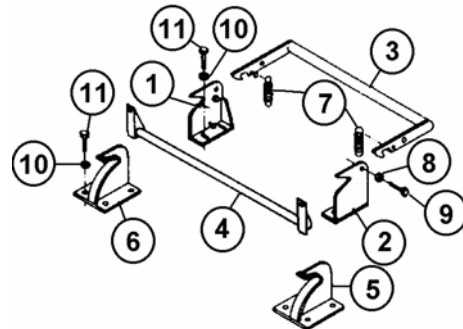
## 341-016 (Toro 26") Red

Ref#	Part#	Description	Qty
1	610-344	Latch Bracket Left	1
2	610-345	Latch Bracket Right	1
3	610-346	Foot Bracket	1
4	610-369	Latch Bar	1
5	610-382	Axle Stop Right	1
6	610-383	Axle Stop Left	1
7	40-199	Spring	2
8	400-201	1/4" Flat Washer	6
9	400-003	5/16" x 1 1/4" Bolt	2
10	400-202	5/16" Flat Washer	24
11	400-018	3/8" x 1" Bolt	12
NI	400-109	5/16" Locknut	2
NI	400-116	3/8" Locknut	12



## 341-018 (Jac. 62268 & 62280) Black

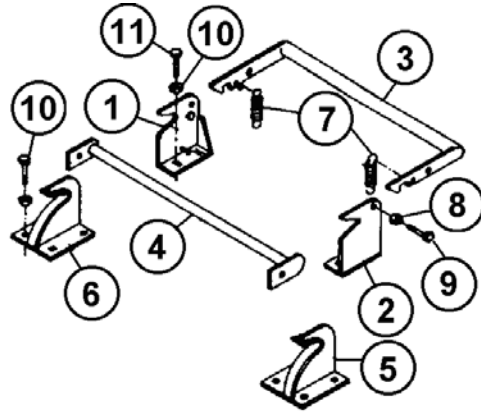
Ref#	Part#	Description	Qty
1	610-344	Latch Bracket Left	1
2	610-345	Latch Bracket Right	1
3	610-346	Foot Bracket	1
4	610-352	Latch Bar	1
5	610-362	Axle Stop Right	1
6	610-361	Axle Stop Left	1
7	40-199	Spring	2
8	400-201	1/4" Flat Washer	6
9	400-003	5/16" x 1 1/4" Bolt	2
10	400-202	5/16" Flat Washer	24
11	400-018	3/8" x 1" Bolt	12
NI	400-109	5/16" Locknut	2
NI	400-116	3/8" Locknut	12



# TRAILER MOUNTING KITS

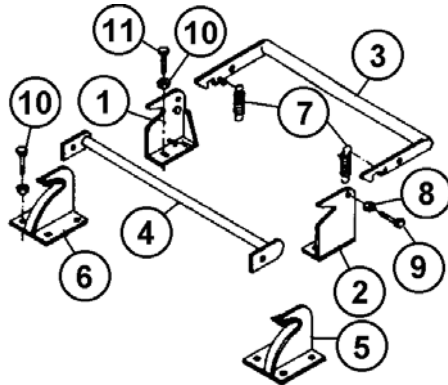
## 341-040 Toro 1600

Ref#	Part#	Description	Qty
1	610-344	Latch Bracket Left	1
2	610-345	Latch Bracket Right	1
3	610-346	Foot Bracket	1
4	610-399	Latch Bar	1
5	610-388	Axle Stop Right	1
6	610-389	Axle Stop Left	1
7	40-199	Spring	2
8	400-201	1/4" Flat Washer	6
9	400-003	5/16" x 1 1/4" Bolt	2
10	400-202	5/16" Flat Washer	24
11	400-018	3/8" x 1" Bolt	12
NI	400-109	5/16" Locknut	2
NI	400-116	3/8" Locknut	12



## 341-042 Toro 1600 w/2" Hub

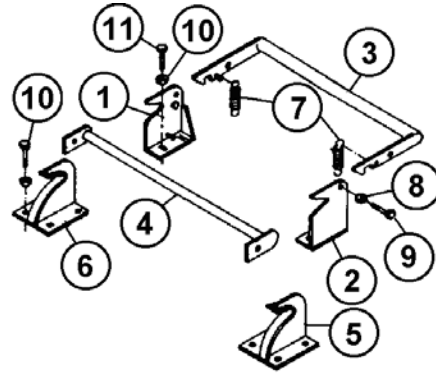
Ref#	Part#	Description	Qty
1	610-344	Latch Bracket Left	1
2	610-345	Latch Bracket Right	1
3	610-346	Foot Bracket	1
4	610-399	Latch Bar	1
5	610-365	Axle Stop Right	1
6	610-366	Axle Stop Left	1
7	40-199	Spring	2
8	400-201	1/4" Flat Washer	6
9	400-003	5/16" x 1 1/4" Bolt	2
10	400-202	5/16" Flat Washer	24
11	400-018	3/8" x 1" Bolt	12
NI	400-109	5/16" Locknut	2
NI	400-116	3/8" Locknut	12



# TRAILER MOUNTING KITS

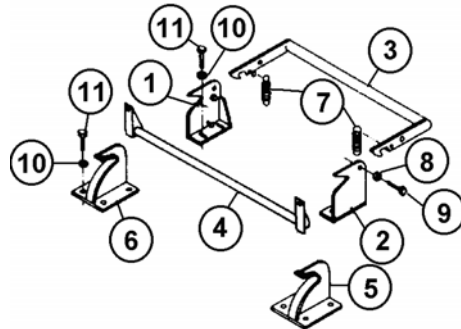
## 341-044 Toro Flex 21

Ref#	Part#	Description	Qty
1	610-344	Latch Bracket Left	1
2	610-345	Latch Bracket Right	1
3	610-346	Foot Bracket	1
4	610-327	Latch Bar	1
5	610-325	Axle Stop Right	1
6	610-326	Axle Stop Left	1
7	40-199	Spring	2
8	400-201	1/4" Flat Washer	6
9	400-003	5/16" x 1 1/4" Bolt	2
10	400-202	5/16" Flat Washer	24
11	400-018	3/8" x 1" Bolt	12
NI	400-109	5/16" Locknut	2
NI	400-116	3/8" Locknut	12



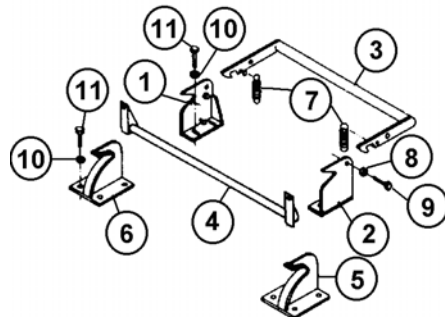
## 341-046 John Deere 180B

Ref#	Part#	Description	Qty
1	610-344	Latch Bracket Left	1
2	610-345	Latch Bracket Right	1
3	610-346	Foot Bracket	1
4	610-313	Latch Bar	1
5	610-348	Axle Stop Right	1
6	610-347	Axle Stop Left	1
7	40-199	Spring	2
8	400-201	1/4" Flat Washer	6
9	400-003	5/16" x 1 1/4" Bolt	2
10	400-202	5/16" Flat Washer	24
11	400-018	3/8" x 1" Bolt	12
NI	400-109	5/16" Locknut	2
NI	400-116	3/8" Locknut	12



## 341-048 John Deere 220B

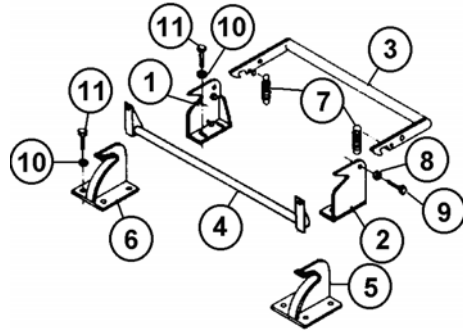
Ref#	Part#	Description	Qty
1	610-344	Latch Bracket Left	1
2	610-345	Latch Bracket Right	1
3	610-346	Foot Bracket	1
4	610-314	Latch Bar	1
5	610-348	Axle Stop Right	1
6	610-347	Axle Stop Left	1
7	40-199	Spring	2
8	400-201	1/4" Flat Washer	6
9	400-003	5/16" x 1 1/4" Bolt	2
10	400-202	5/16" Flat Washer	24
11	400-018	3/8" x 1" Bolt	12
NI	400-109	5/16" Locknut	2
NI	400-116	3/8" Locknut	12



# TRAILER MOUNTING KITS

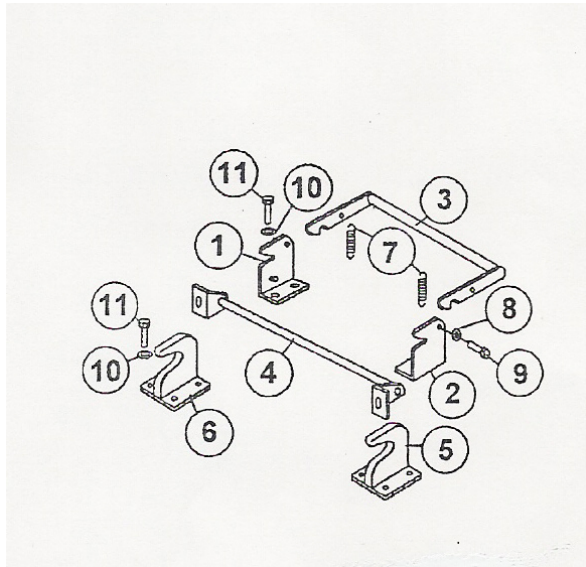
## 341-050 John Deere 260B

Ref#	Part#	Description	Qty
1	610-344	Latch Bracket Left	1
2	610-345	Latch Bracket Right	1
3	610-346	Foot Bracket	1
4	610-315	Latch Bar	1
5	610-348	Axle Stop Right	1
6	610-347	Axle Stop Left	1
7	40-199	Spring	2
8	400-201	1/4" Flat Washer	6
9	400-003	5/16" x 1 1/4" Bolt	2
10	400-202	5/16" Flat Washer	24
11	400-018	3/8" x 1" Bolt	12
NI	400-109	5/16" Locknut	2
NI	400-116	3/8" Locknut	12



## 341-052 Jac. Flex Mower

Ref#	Part#	Description	Qty
1	610-344	Latch Bracket Left	1
2	610-345	Latch Bracket Right	1
3	610-346	Foot Bracket	1
4	610-352	Latch Bar	1
5	610-317	Axle Stop Right	1
6	610-316	Axle Stop Left	1
7	40-199	Spring	2
8	400-201	1/4" Flat Washer	6
9	400-003	5/16" x 1 1/4" Bolt	2
10	400-202	5/16" Flat Washer	24
11	400-018	3/8" x 1" Bolt	12
NI	400-109	5/16" Locknut	2
NI	400-116	3/8" Locknut	12



## LIMITED WARRANTY

SMITHCO warrants this product to be free from defects in material and workmanship under normal use for one year from the date of purchase by the original user. (60 days if product is used for rental purposes.) All warranty claims must be handled through a SMITHCO authorized dealer or by SMITHCO, INC. All transportation charges must be paid by the purchaser.

There is no further express warranty. All implied warranties, including those of merchantability and fitness for a particular purpose, are limited to one year. (60 days if product is used for rental purposes) from date of purchase by the original user, and, to the extent permitted by law any and all implied warranties are excluded and disclaimed after the expiration of such period.

All incidental and consequential damages, including pick-up and delivery of the unit, communication, mileage charges and/or rental of a replacement unit during repair, are not covered under this warranty, or is any loss of income and/or other loss resulting from the failure of the product to function due to a warranty defect.

The following items are not covered under the SMITHCO warranty and are warranted by their respective manufacturer.

- a) Engine and engine parts including starters, generators, alternator and filters.
- b) Transaxle, differentials, gear boxes, and mechanical pumps.
- c) Hydrostatic transmissions, hydraulic pumps and motors.
- d) Batteries
- e) Wheels and tires.

A copy of the warranty for the above items is furnished if necessary with each SMITHCO product.

Some states do not allow limitations on how long an implied warranty lasts, or the exclusion of limitations of incidental or consequential damages, so the above limitations or exclusions may not apply to you. This warranty gives you specific legal rights, and you may also have other rights, which vary from state to state.

Federal law now requires disclosure of the warranty which applies to this product prior to the sale to a consumer. Please leave this statement attached to the product and allow the buyer to remove it after purchase.

# **SMITHCO**

Wayne, Pennsylvania 19087

